

## ARIA OFFICE CHAIR (LIGHT GREY)



ARENCO COMPOUND  
WAREHOUSE NO.17,  
DUBAI INVESTMENT PARK 1  
DUBAI - UAE

☎ (+971) 4 327 2329  
☎ (+971) 52 113 7119  
✉ sales@prowork.ae  
🌐 www.prowork.ae

**prowork™**



## ARIA OFFICE CHAIR (LIGHT GREY)

The Aria range of office chairs brings a feeling of authority to your office space. Adjust the lumbar position for enhanced and personalized back support, and alter the tension frequency to create a relaxed or concentrated experience.

### FEATURES

- Dimensions (cm): 125H X 55W X 65D
- Height Adjustable Cervical Headrest
- Height adjustable backrest with lumbar support Height adjustable armrest,
- Thermoplastic Polyurethane soft seat pad with molded foam to enhance the ergonomics of the chair Level 4 locking mechanism
- Seat height adjustable by grade 4 gas lift (Lifting stroke 100MM Black Nylon base, static pressure bearing 1136 kg.
- BIFMA Certified 360° running nylon castors
- Polyester ProMesh Light Grey stretched over both backrest and seat pad to maximize ventilation

### STYLES

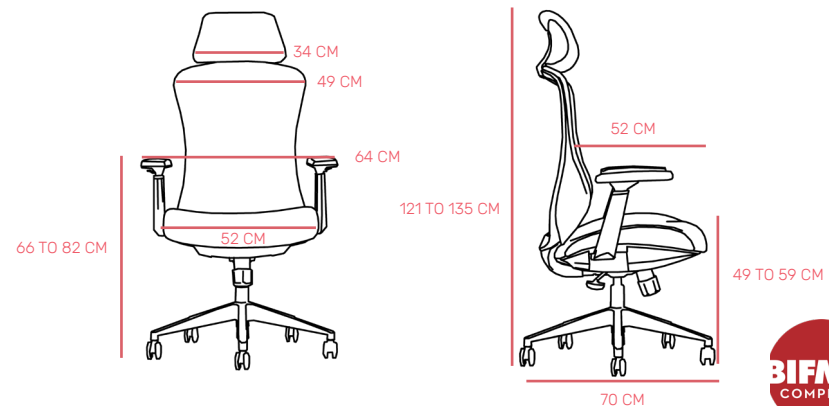


WITH HEADREST



WITHOUT HEADREST

### DIMENSIONS



# FEATURES



Seat height adjustment



Armrest height adjustment



Tilting tension adjustment



360-degree seat rotation



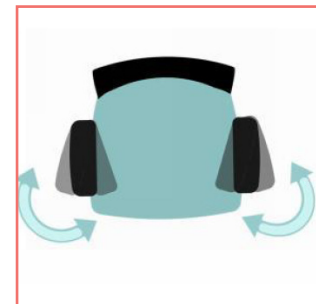
Armrest pad move forward & backward



Neck-rest height adjustment



Backrest can be tilted and locked at 4 positions



Armrest pad rotation



Lumbar support height adjustment

## 3D ARMS

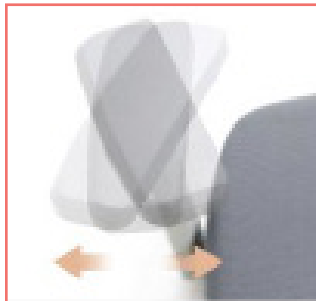
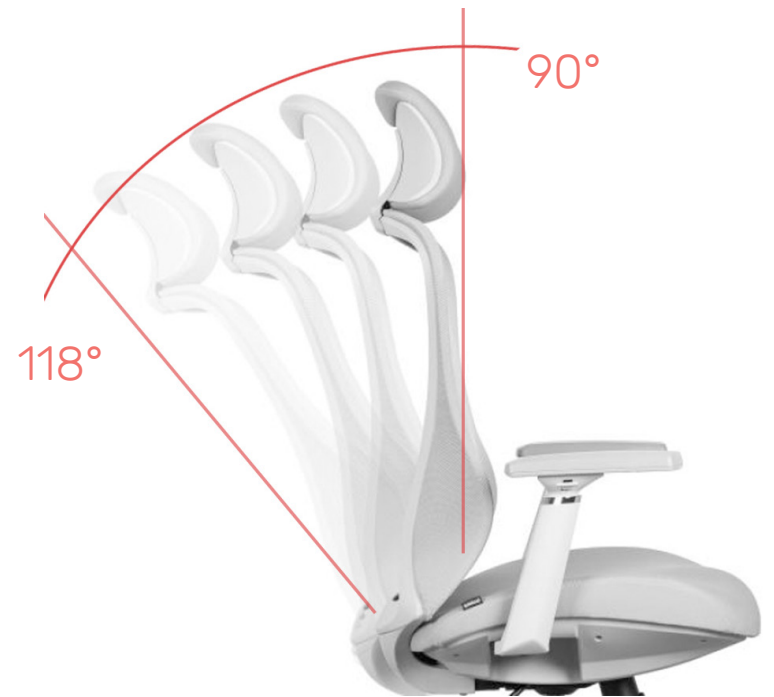
## LUMBAR SUPPORT HEIGHT ADJUSTABLE

The lumbar support can be adjusted for height, max comfort seating height and maximum height



### Control armrest up and down adjustment

- Height adjustable arms, with soft touch PU cap.
- The arm cap can be rotated, and it can be adjusted forward and backward.



Armrest pad rotation



Armrest height adjustment



Armrest pad can slide back and forth

Backrest tilting degree