

## GIO OFFICE CHAIR

---



ARENCO COMPOUND  
WAREHOUSE NO.17,  
DUBAI INVESTMENT PARK 1  
DUBAI - UAE

☎ (+971) 4 327 2329  
☎ (+971) 52 113 7119  
✉ sales@prowork.ae  
🌐 www.prowork.ae

**prowork**<sup>TM</sup>



## GIO OFFICE CHAIR

Gio office chairs are unique in every aspect. Fitted with a U-shaped one-piece headrest and exquisite radian curve for professional neck support, the specialised shape of this chair protects the head and effectively relieves working pressures on the upper body. Its large depth back frames separate it from conventional seat back depths, and its elasticity is enhanced according to weight and the mode of use. The harder you lean back, the more comfortable it is! Available in Ice grey and Turkish blue.

### FEATURES

- Dimensions (cm): 114H X 50W X 65D
- BIFMA standard office chair
- Vaseat patent, quick-adjust mechanism 3-gear locking.
- Tension adjustment system adjusts back tightness.
- Seat height adjustable by grade 4 gas lift (Lifting stroke 100MM).
- 350# gray nylon track design base (non-slip on the track)
- Static pressure bearing 1136 kg.
- 60# BIFMA 360° running nylon castors
- Back and Seat :NT series meshes: Highly elastic mesh, breathable and comfortable

### COLORS

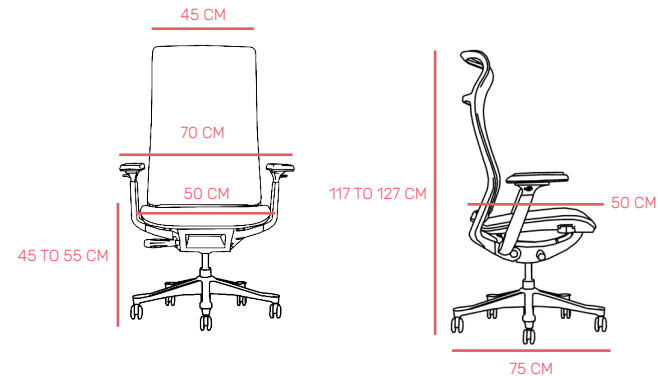


TURKISH  
BLUE



ICE GREY

### DIMENSIONS

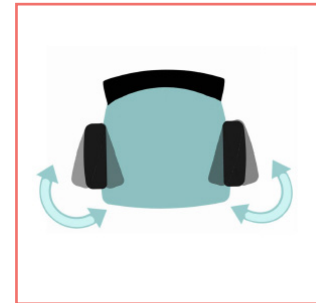


# FEATURES

---



Seat height adjustment



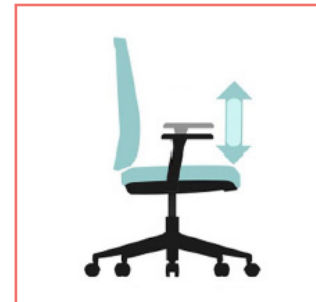
Armrest pad rotation



Chair Swivel



Armrest pad move forward & backward

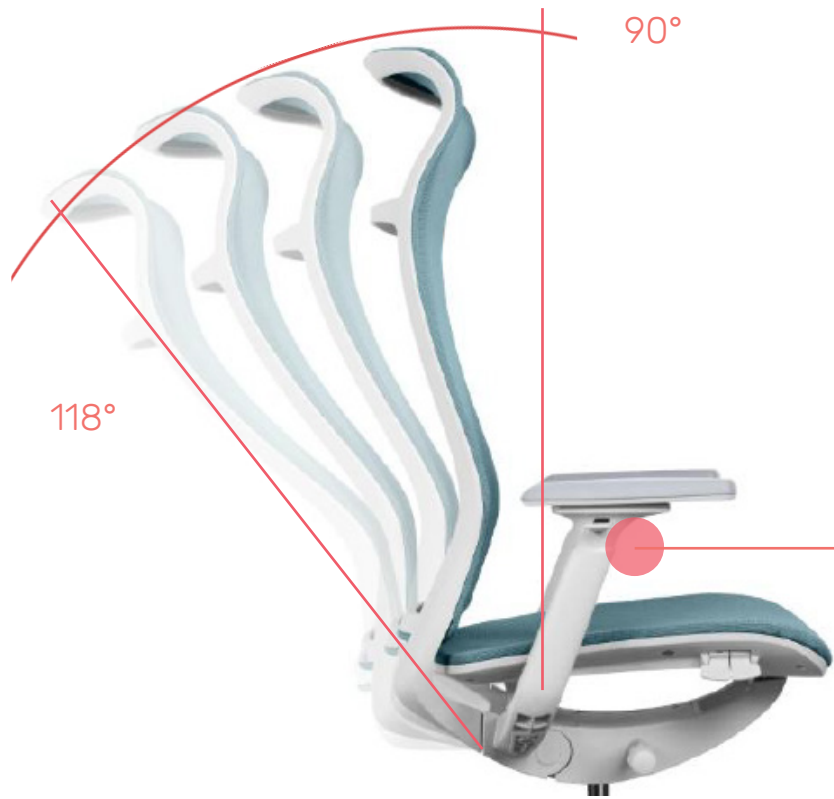


Armrest height adjustment



Backrest can be locked at 3 positions

## BACKREST TILTING DEGREE

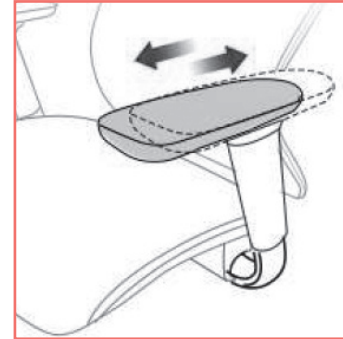


### Control armrest up and down adjustment

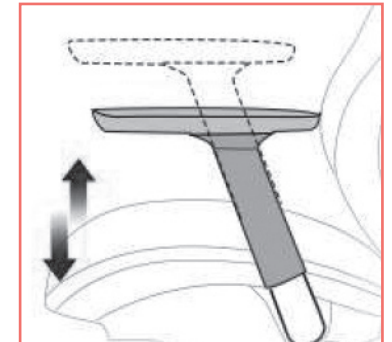
- Height adjustable arms, with soft touch PU cap.

## 3D ARMS

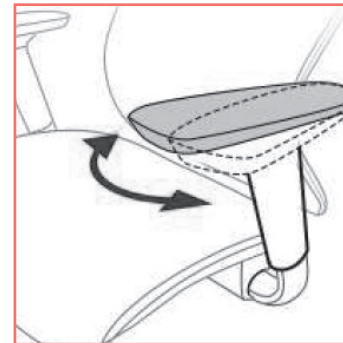
The headrest can follow the headswing to rotate left and right, and to achieve the maximum fit of the neck,



Armrest pad forward & backward



Armrest height adjustment



Armrest pad rotation