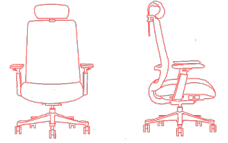


AKIRA OFFICE CHAIR (BLACK)



ARENCO COMPOUND
WAREHOUSE NO.17,
DUBAI INVESTMENT PARK 1
DUBAI - UAE

☎ (+971) 4 327 2329
☎ (+971) 52 113 7119
✉ sales@prowork.ae
🌐 www.prowork.ae

proworkTM



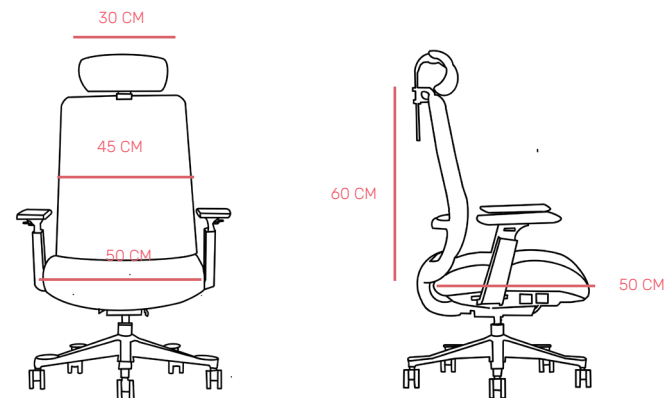
AKIRA OFFICE CHAIR (BLACK)

The curved, soothing headrest of the Akira model provides professional neck support to keep your head well supported even during the most intense of working days. Built from eco-friendly materials as opposed to traditional wood structures, this chair is designed to promote ergonomic convenience with sliding seat functions and adjustment mechanisms, all available at your fingertips. Available in Black and Gray, with or without headrest.

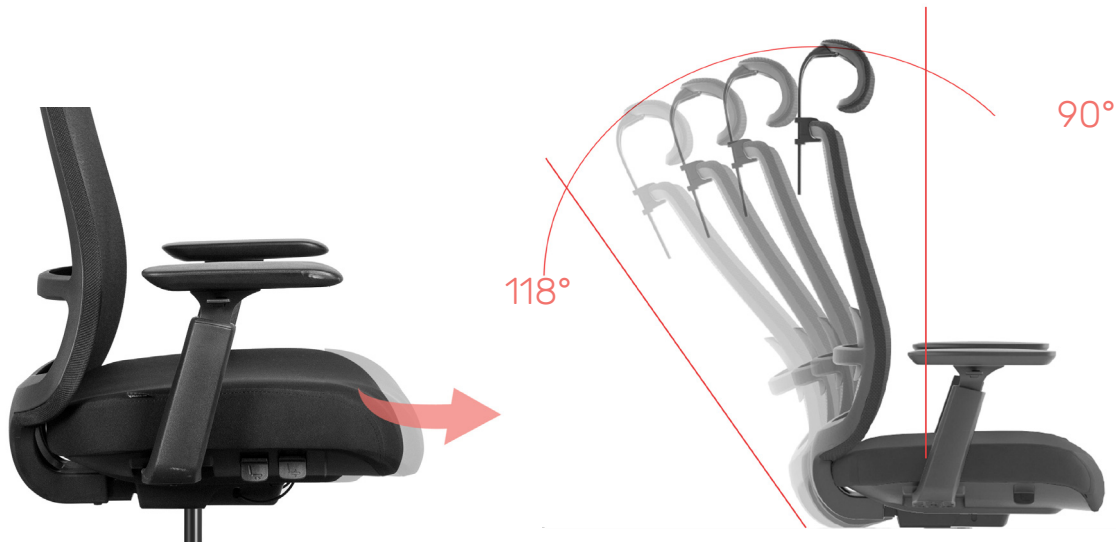
FEATURES

- BIFMA Certified Standard Office Chair with a curved soothing headrest and professional neck support
- 3D Adjustable Armrest; Front and Rear, Up and Down, Rotation adjustment, Multi-angle adjustment
- Wire-controlled Aluminum self-loading mechanism with 3-gear locking
- REACH Certified Automatic backrest with Elastic adjustment
- Seat sliding mechanism Soft Polyurethane seat pad designed with molded foam to enhance the Ergonomic design of the chair
- Seat cushion : Formaldehyde-free, Grade 5 Waterproof, Grade 6 Oil resistance
- Seat height adjustable by Grade 4 gas lift; lifting stroke 100MM Gray Nylon anti-slip track design base with static pressure bearing 1136 kg BIFMA Certified 360° running Nylon castors

DIMENSIONS



SEAT WITH SLIDING FUNCTION



The seat depth can be adjusted according to the user's comfort.

Backrest tilting degree

3D ARMS

- Height adjustable arms, with soft touch PU pad.
- The arm pad can be rotated, left to right with ease.
- The arm adjusted back and forth to maximize comfort.



Armrest pad rotation left



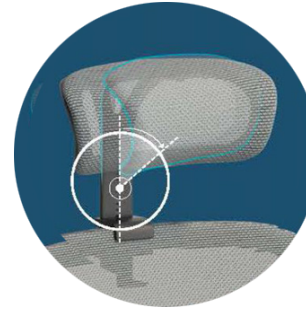
Armrest pad can slide back



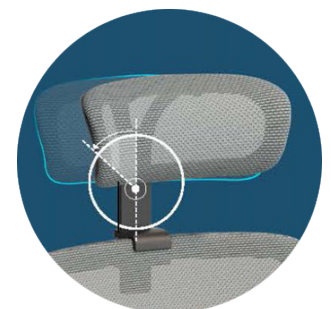
Armrest height adjustment

HEADREST

The headrest can follow the headswing to rotate left and right, and to achieve the maximum fit of the neck,



Rotate to the right



Rotate to the left



With headrest



Without headrest